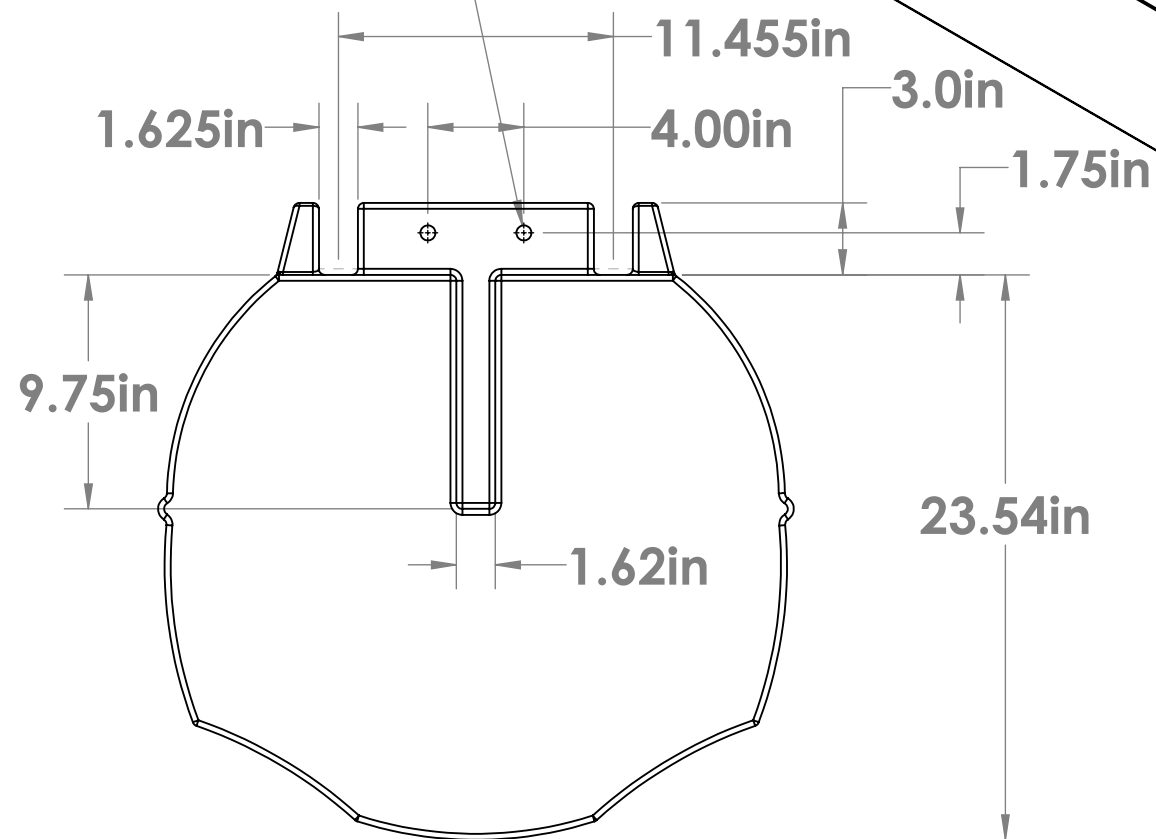
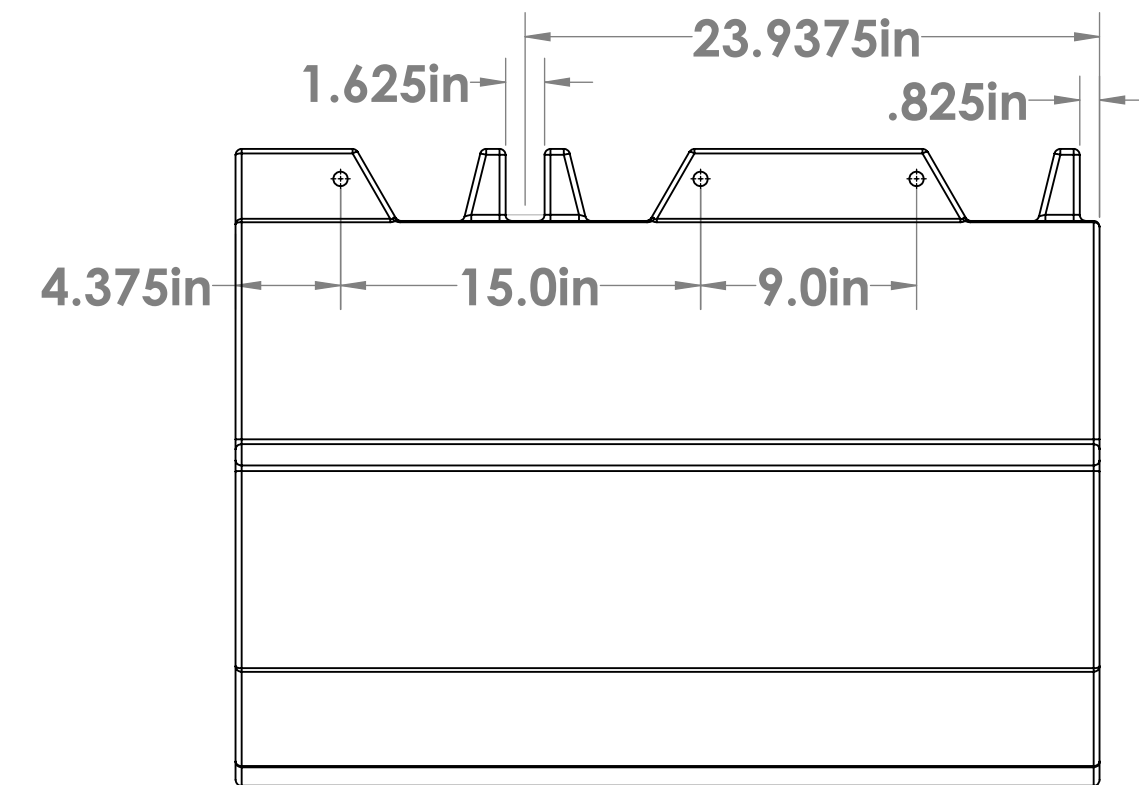
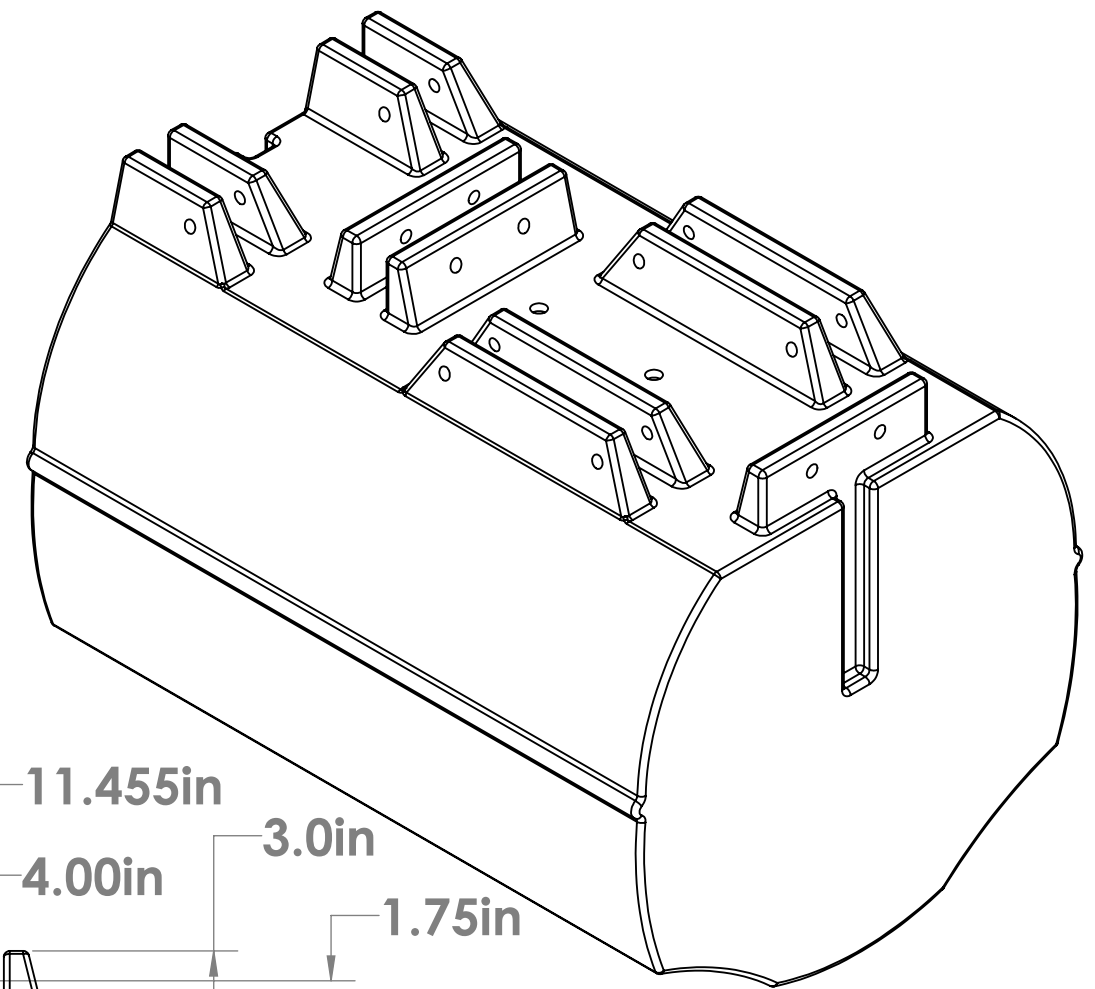
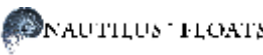


∅ .625in
Typical



NOT IN SCALE		DRAWN BY	DATE	 www.nautilusfloats.com Phone +1 325-646-1566 TOLERANCES LINEAR = ±3% OF DIMENSION	TITLE:	REVISION
STATUS:	RELEASED	AB	11/21/2014		26IN GW PONTOON Measurements	03-24-2017
NAUTILUS FLOATS				PART NO.	ENG. ID.	SHEET
ALL DIMENSIONS, DESIGNS, AND INFORMATION ON THIS PRINT MUST BE CONSIDERED PROPRIETARY TO NAUTILUS FLOATS AND MAY NOT BE USED, COPIED, OR DISTRIBUTED WITHOUT WRITTEN PERMISSION OF AN OFFICER (OR HIS AGENT) OF THE FIRM.				BLACK # 45480 BLUE # 45484	4548x	1 OF 1